

GOLDAIR

Mini Oven

Model GM0300

OPERATING INSTRUCTIONS



GM0300 – 230V ~, 50Hz, 1300W, Mini Oven

Thank you for choosing this Goldair Mini Oven. This Goldair appliance has been designed and manufactured to a high standard of engineering and with proper use and care, as described in this leaflet, will give you years of useful service. Please read these instructions carefully.

GENERAL CARE AND SAFETY GUIDE

Please read all instructions carefully before using this appliance and keep them for future reference.

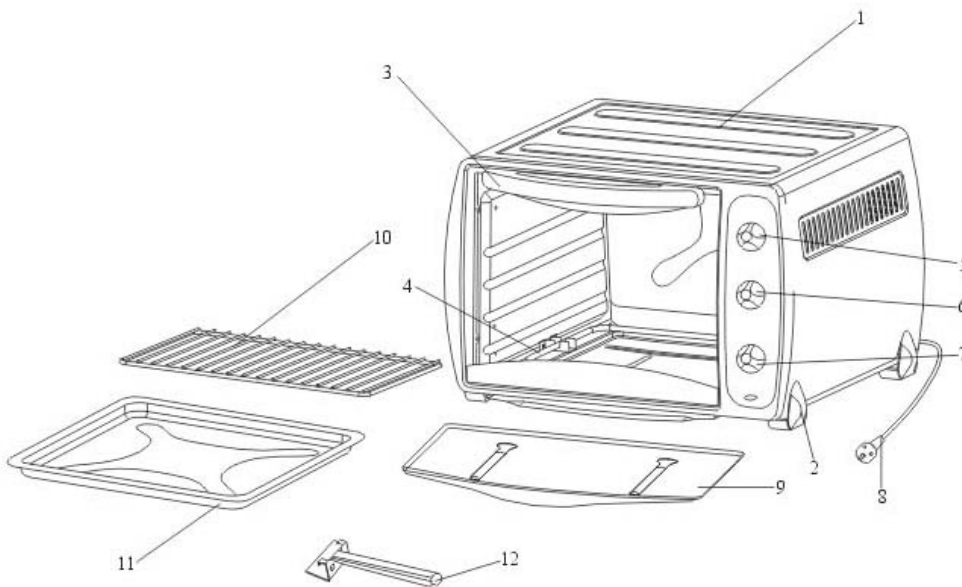
- Do not touch hot surfaces, use handle or knobs.
- Use this appliance only as described in this manual. Any other use is not recommended by the manufacturer and may cause electric shock or injury. Do not use outdoors.
- This appliance is not intended for use by young children or infirm persons unless they have been adequately supervised by a responsible person to ensure that they can use the appliance safely.
- Young children should be supervised to ensure they do not play with this appliance.
- Do not operate the appliance with a damaged cord set or plug or after the appliance malfunctions, or has been damaged in any manner. Return the appliance to the nearest authorised service centre for examination, repair, or adjustment. Regularly inspect the appliance, supply cord and plug for any damage. If the appliance is damaged in any way, stop use immediately and return to the place of purchase or an authorised service centre.
- The use of accessory attachments not recommended by the appliance manufacturer may cause hazard or injury.
- Do not place the Mini Oven on or near a hot gas or electric burner, near a heated oven, or microwave oven.
- To protect against electric shock, do not immerse the cord set, plug or any part of the oven in water or other liquids.
- Do not let the cord hang over the edge of the table or counter, or touch hot surfaces as this is a hazard.
- When operating the oven, keep at least four inches of space on all sides of the oven to allow for adequate air circulation.
- Unplug from the power outlet when not in use, or before cleaning. Allow the oven to cool before adding or removing attachments and before cleaning.
- Do not cover the CRUMB TRAY or any part of the oven with metal foil. This may cause overheating of the oven.
- Do not clean with metal scouring pads. Pieces can break off the pad and touch electrical parts, creating a risk of electric shock.
- A fire may occur if the oven is covered or touching flammable material, including curtains, draperies and walls when in operation. Do not store any item on the oven during operation.
- To disconnect, turn the timer to OFF, then switch off at the power outlet and remove the plug. Always grasp the plug when removing from the power outlet. Never remove the plug from the power outlet by pulling the cord.
- Extreme caution must be used when moving an appliance containing hot oil or other liquids.
- Extreme caution should be exercised when using containers constructed of anything other than metal or oven-proof Pyrex containers.
- Do not place any of the following materials in the oven: cardboard, plastic, paper or anything similar.
- Do not leave the Mini Oven unattended while in use.

- Do not store any materials, other than manufacturers recommended accessories, in this oven when not in use.
- Do not leave the oven door open for extended periods of time.
- The temperature of the door or outer surfaces will be higher when the appliance is operating.
- Never place hands inside the Mini Oven during operation.
- This appliance has a tempered, safety glass door. The glass is stronger than ordinary glass and more resistant to breakage. Tempered glass can break, but the pieces will not have sharp edges. Avoid scratching door surfaces or nicking edges.
- Position the oven on a dry, stable level work surface, keeping the edge clear of the wall.
- Always protect yourself from burns using the tray removal handle and oven mitts.
- The Mini Oven is not intended to be operated by an external timer or separate remote-control system.



CAUTION: THE MINI OVEN'S SURFACES WILL BECOME HOT DURING AND AFTER USE. ALWAYS WEAR PROTECTIVE, INSULATED OVEN GLOVES WHEN TOUCHING A HOT OVEN, HOT DISHES OR FOOD AND WHILE INSERTING RACKS, PANS OR BAKING TRAYS.

KNOW YOUR MINI OVEN



- | | |
|-----------------------------|--|
| 1. Stainless Steel Housing | 7. Timer Dial |
| 2. Feet | 8. Power Cord |
| 3. Door Handle | 9. Removable Crumb Tray |
| 4. Heating Element | 10. Grill Rack |
| 5. Temperature Control Dial | 11. Toast Tray |
| 6. Power Control Dial | 12. Toast Tray & Grill Rack Removal Handle |

BEFORE FIRST USE

1. Read all instructions carefully.
2. Ensure any labels or protective film that may be attached to your Mini Oven are removed.
3. Ensure the Mini Oven is unplugged at the power outlet.
4. Remove the Crumb Tray, Grill Rack and Toast Tray and wash in warm soapy water. Dry thoroughly.
5. Fully unwind the power cord.
6. Your Mini Oven is now ready to use.

CONTROL PANEL SETTINGS AND FUNCTIONS



Temperature Control Dial



Bake Function

Roast Function

Function OFF Position (No Function Selected)

Grill Function



Timer Dial

Power Light

Temperature Control Dial

Turn the Temperature Control Dial clockwise to select desired temperature. Temperatures range from 90°C to 250°C. A temperature setting together with either the Bake, Grill or Roast function and the timer must be set for the Mini Oven to operate.

Bake Function

Turn the Power Control Dial clockwise to select the "BAKE" function. Both the top and bottom element will operate when the Bake function is selected. The Timer and Temperature Dial must also be set for the Bake function to operate.

Grill Function

Turn the Power Control Dial clockwise to select the "GRILL" function. Only the top element will operate when the Grill function is selected. The Timer and Temperature Dial must also be set for the Grill function to operate.

Roast Function

Turn the Power Control Dial clockwise to select the "ROAST" function. Only the bottom element will operate when the Roast function is selected. The Timer and Temperature Dial must also be set for the Roast function to operate.

CONTROL PANEL SETTINGS AND FUNCTIONS CONT..

Timer Dial

Turn the Timer Dial clockwise to select the required time. The Mini Oven will not operate unless the Timer Dial has been set. The Timer will countdown from a maximum of 60 minutes. When the cooking cycle is complete a bell will sound to indicate the Timer has switched off. To cook for a period longer than 60 minutes, you will need to re-set the timer after the first 60-minute cycle to the additional time required. When the Timer Dial is set the oven's internal light will switch on and the Power Light will illuminate.

TO USE YOUR MINI OVEN

1. Insert the plug into a suitable power outlet, 230-240V.
2. Set the temperature by turning the dial clockwise to the required setting.
3. Set the function, either bake, grill or roast
4. Set the timer by turning the dial clockwise to the required time. When the timer dial is set, the oven's internal light will switch on and the power light will illuminate to indicate the oven is operating.
5. Open the door and place your food in the oven, then close the door.
6. Follow recipe instructions, checking the food regularly through the glass door to avoid over-cooking or burning.
7. When the program is complete, the oven will sound a bell and the interior light will turn off.
8. Unplug the unit and allow it to cool completely before cleaning and storing.
NOTE: foods of irregular shape, like fish or chicken breast, take longer to cook in thicker parts. To cook evenly, place the thickest parts to the outside of the food tray, where there is more heat. Use cooking oil to avoid food sticking to the surface of the tray. Large items may need turning during the course of cooking.
8. **CAUTION:** Be careful when opening the door to avoid the door hitting the work surface.

SETTING THE COOK MODE

1. Set the timer for the required length of time.
2. Set the required temperature.
3. The cooking mode and temperature can be changed at any time during the cooking cycle

CARE AND CLEANING

1. Unplug the oven from the power outlet and allow to cool before cleaning.
2. Do not use abrasive cleansers or metal scouring pads.
3. Simply wipe the exterior with a clean damp cloth and dry thoroughly.
4. Apply any cleaning agent to a cloth, not directly onto the oven.
5. To clean the glass door, use a glass cleaner or a damp cloth. Wipe dry with a clean cloth.
6. Oven wire racks and removable trays may be washed as other kitchenware.
7. Never wrap the cord around the outside of the toaster oven.

AFTER SALES SERVICE

This appliance is built to a very high standard. There are no user-serviceable parts. Follow these steps if the unit fails to operate:

Check instructions have been followed correctly.

Check mains supply is functional.

If the appliance will not operate, contact the Support and Technical Advice Team Before returning it to the retail outlet you purchased it from.

THIS APPLIANCE IS INTENDED FOR HOUSEHOLD USE ONLY

GOLDAIR

SUPPORT AND TECHNICAL ADVICE

North Shore City, Auckland, New Zealand

Monday – Friday 8am-5pm

Phone: 0800 232 633

Website: www.goldair.co.nz

GOLDAIR

Your Goldair product has been inspected and tested and is guaranteed subject to the following for a period to two years from the date of purchase against defects in workmanship and materials. During this period, such defects will be rectified by repair or replacement of the product purchased. Your product contains no user serviceable components and this warranty becomes invalid if in our opinion the product has been misused, abused, incorrectly installed, tampered with, connected to an electrical supply not corresponding with the name plate specification, or subjected to power surges. The warranty does not include any labour or other associated expense that may be involved in removal or installation of the product. Normal wear and tear is expressly excluded.

If your Goldair product fails to operate satisfactorily, please return it to the retailer from whom it was purchased. To obtain a repair or replacement product under this warranty, you will need to produce satisfactory evidence of date of purchase. The completed warranty and purchase receipt must be presented with the product. The warranty should be filled out at the time of purchase. It is in your interest to make sure this is done.

If the product is to be replaced (cannot be repaired) then that replacement will be of the same or similar product or accessory excluding packaging, instruction card etc. Where a replacement product is supplied, this shall be guaranteed for the balance of the original warranty period.

Any model that is no longer available will be replaced by a model of a value and with such features as we consider appropriate in the circumstances. Goldair Ltd is not responsible for freight forwarding charges, losses or damage in transit.

If service is required after the warranty period has expired, the product should be returned to a qualified electrical technician. Service outside of the warranty period will be at your cost.

Consumers Guarantee Act (1993).

In accordance with the above act consumers are advised that: The manufacturer does not undertake that repair facilities and parts are necessarily available for this product.

If any of the provisions of the foregoing are contrary to any relevant legislation, then that provision shall be deemed to be excluded from the warranty and the rest of the provisions will continue to apply.

IMPORTANT: PLEASE RETAIN THIS WARRANTY CARD

NAME: _____

ADDRESS: _____

PURCHASED FROM: _____

SUBURB: _____

DATE OF PURCHASE: _____

NAME OF PRODUCT: _____

MODEL No: _____

TWO YEAR WARRANTY