

# GOLDAIR

## Toaster

Model GT170

### OPERATING INSTRUCTIONS



**GT170:** 230-240V ~, 50Hz, 900W, 2 Slice Toaster

---

**Thank you for choosing a Goldair electric toaster. This Goldair appliance has been designed and manufactured to a high standard of engineering and with proper use and care, as described in this leaflet, will give you years of useful service. Please read these instructions carefully.**

---

## **GENERAL CARE AND SAFETY GUIDE**

Please read all instructions carefully before using this appliance and keep them for future reference.

### **ALWAYS**

- ✓ Always ensure hands are dry before handling the plug or switching on the toaster.
- ✓ Always use the toaster on a secure, dry, level surface.
- ✓ Always allow adequate air space above and on all sides for air circulation. Do not allow the toaster to touch curtains, wall coverings, clothing, dishtowels or other flammable materials during use. Do not use under cupboards or curtains.
- ✓ Caution is required on surfaces where heat may cause a problem – an insulated heat pad is recommended.
- ✓ Always use the toaster with the crumb tray in place.
- ✓ Clean the crumb tray regularly. Do not allow crumbs to build up.
- ✓ Always unplug from the socket when not in use and before cleaning.
- ✓ Always allow the toaster to cool before cleaning and storing.
- ✓ Carry out regular checks of the supply cord to ensure no damage is evident.
- ✓ Return the toaster after a malfunction, or if it has been damaged in any manner to an authorised electrician for examination, repair or adjustment as special purpose tools are required.

**WARNING:** Never attempt to extract jammed toast, or any other item with a knife or any other object, as contact with live elements could result in an electric shock. Allow the appliance to cool, unplug and carefully turn the toaster upside down and shake gently to remove the bread.

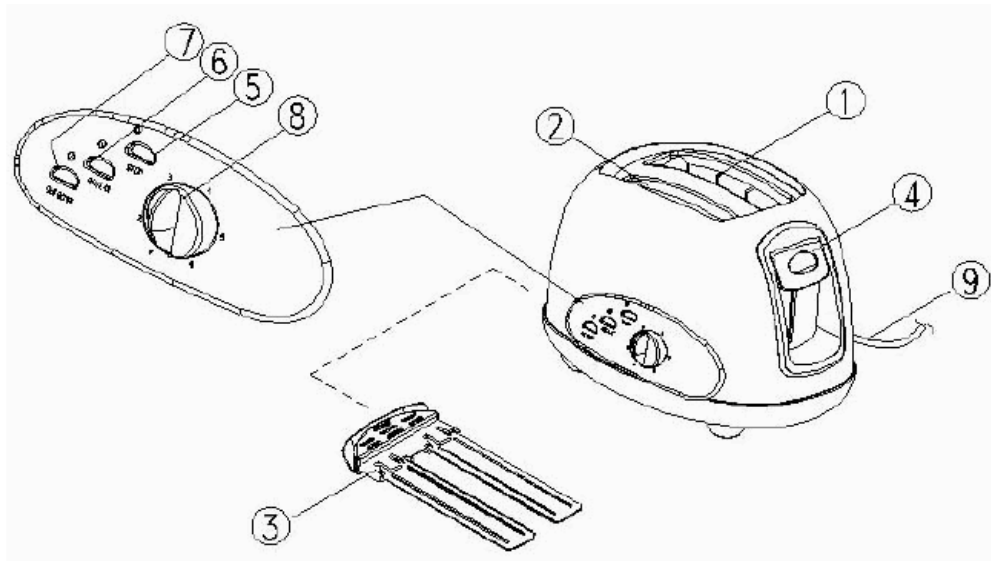
**WARNING:** The bread may burn, therefore do not use the toaster near or below combustible material, such as curtains.

### **NEVER**

- ✗ Never touch hot surfaces.
- ✗ Never use this appliance outdoors.
- ✗ Never use this appliance for any purpose other than its intended use. This appliance is for household use only.
- ✗ This appliance is not intended for use by persons (including children) with reduced physical, sensory or mental capabilities or lack of experience and knowledge, unless they are supervised or have been given instruction concerning the use of the toaster by a person responsible for their safety.
- ✗ Close supervision is necessary when the appliance is near children.
- ✗ Never leave the appliance unattended when in use as **bread may burn**.
- ✗ Never place this appliance on or near a hot gas or electric burner or where it could touch a heated oven or microwave oven.
- ✗ Never use this appliance with any foodstuff containing sugar or products containing jam or preserves.
- ✗ Never immerse any part of the toaster, or cord set and plug in water or any other liquid to protect against electrical hazards.
- ✗ Never use harsh, abrasive or caustic cleaners to clean this appliance.
- ✗ Never operate the appliance with a damaged cord or plug, after it malfunctions, or if it has been damaged in any manner.
- ✗ The toaster is not intended to be operated by means of an external timer or separate remote-control system.

**CAUTION:** This appliance generates heat during use. Proper precautions must be taken to prevent the risk of burns, scalds, fires or other damage to persons caused by touching the exterior whilst in use

# COMPONENTS



- |                                  |                              |
|----------------------------------|------------------------------|
| 1. Self-Adjusting Bread Carriage | 6. Reheat Function           |
| 2. Extra Wide Bread Slots        | 7. Defrost Function          |
| 3. Removable Crumb Tray          | 8. Variable Browning Control |
| 4. Bread Carriage Lever          | 9. Power Cable               |
| 5. Cancel Function               |                              |

## OPERATING YOUR TOASTER

1. Position the toaster on a dry, stable level work surface, away from the edge. Ensure that the cord does not over-hang the work surface as this is a hazard.
2. Insert the plug into a suitable power outlet, 230-240V.
3. Insert the bread, muffin or bagel into the bread slots.
4. Using the + or - buttons, select the desired browning setting; toasting settings range from **1** (lightest) to **9** (darkest). When using the toaster for the first time, select setting **4**. Varying types of bread and personal preference may require a different setting.
5. Press the carriage control lever down until it locks into place. The toasting cycle can be stopped at any time by pressing the cancel button.
6. Remove the toast taking care not to touch any hot surfaces. In the unlikely event that the bread or crumpet becomes jammed, switch the toaster off at the power outlet and disconnect the plug. Allow the toaster to cool fully before carefully turning the toaster upside down and shaking gently to remove the jammed items ensuring that you do not damage the element. Never insert your hands or any hard or sharp instrument into the slots.
7. If the toast starts to smoke before it has popped up, stop the toasting process by pressing the cancel button.
8. The progress indicator lights will individually extinguish as the toasting cycle progresses to indicate progress.
9. The reheat button is designed to reheat the toast without cooking it further.

# VARIABLE BROWNING CONTROLS

1. The browning control varies the time the bread is toasted.
2. The control can be set from 1 to 6, where 1 is the shortest time (lightest toast) and 6 is the longest time (darkest toast).
3. Remember to increase the browning control setting for subsequent operations.
4. If the toast is too dark, reduce the browning control before toasting the next slice.
5. Dry or thin slices will toast quicker than moist or thick slices, so use a lower browning control setting.
6. When toasting two slices at the same time, try to use the same size and consistency of bread to achieve equal browning.
7. The defrost button is designed to first defrost, then toast the bread. This will extend the toasting cycle slightly.
8. Set the variable browning control to the desired position:
  - Setting 1-3: refrigerated breads and thinner frozen items such as frozen pancakes.
  - Setting 3-6: pastries, frozen waffles, thin French toast and refrigerated bagels.
9. Press the bread carriage lever down until it locks into position, then press the defrost button so the red light illuminates.
10. When the cycle is complete the bread carriage will raise the toast up. If you wish to stop the defrosting before it is finished, simply press the cancel button.

## TOASTING TIPS

Toasting is a combination of cooking and drying the bread. Moisture levels differ from one bread to another, which can result in varying toasting times.

For slightly dry bread, use a lower setting than normal. For fresh bread or whole wheat, use a higher setting than normal.

Breads with very uneven surfaces (such as English muffins) will require a higher setting.

Thickly cut pieces of bread (including bagels) will take longer to toast. Very thick pieces may require two cycles.

When toasting raisin or other fruit breads, remove any loose raisins from the surface of the bread before placing into the toaster to prevent pieces falling into the toaster or sticking on the guard wire in the slot.

Before toasting bagels, slice each bagel into two equal halves.

If you are toasting a single slice of bread, select a lighter setting than normal to avoid over toasting. The toaster is designed to heat the whole toasting chamber for two slices.

Frozen breads, i.e. waffles and bagels should be warmed using the defrost button.

Exercise caution when toasting pastries. The filling can become quite hot, long before the surface of the pastry becomes brown.

## CARE AND CLEANING

Unplug the toaster from the power outlet and allow to cool before cleaning.

Do not use abrasive cleansers. Simply wipe the exterior with a clean damp cloth and dry thoroughly. Apply any cleaning agent to a cloth, not directly onto the toaster.

To remove crumbs slide out the crumb tray and discard crumbs. Wipe clean and replace. Never operate the toaster without the crumb tray in place.

To remove any pieces of bread remaining in the toaster, turn the toaster upside down and shake gently. Never insert any hard or sharp instrument into the slots as this could damage the toaster and cause a safety hazard.

Never wrap the cord around the outside of the toaster, use the cord storage cleats on the underside of the toaster.

# GOLDAIR

**SUPPORT AND TECHNICAL ADVICE**

**North Shore City, Auckland, New Zealand**

**Monday – Friday 8am-5pm**

**Phone: 0800 232 633**

**Website: [www.goldair.co.nz](http://www.goldair.co.nz)**

# GOLDAIR

Your Goldair product has been inspected and tested and is guaranteed subject to the following for a period to two years from the date of purchase against defects in workmanship and materials. During this period, such defects will be rectified by repair or replacement of the product purchased. Your product contains no user serviceable components and this warranty becomes invalid if in our opinion the product has been misused, abused, incorrectly installed, tampered with, connected to an electrical supply not corresponding with the name plate specification, or subjected to power surges. The warranty does not include any labour or other associated expense that may be involved in removal or installation of the product. Normal wear and tear is expressly excluded.

If your Goldair product fails to operate satisfactorily, please return it to the retailer from whom it was purchased. To obtain a repair or replacement product under this warranty, you will need to produce satisfactory evidence of date of purchase. The completed warranty and purchase receipt must be presented with the product. The warranty should be filled out at the time of purchase. It is in your interest to make sure this is done.

If the product is to be replaced (cannot be repaired) then that replacement will be of the same or similar product or accessory excluding packaging, instruction card etc. Where a replacement product is supplied, this shall be guaranteed for the balance of the original warranty period.

Any model that is no longer available will be replaced by a model of a value and with such features as we consider appropriate in the circumstances. Goldair Ltd is not responsible for freight forwarding charges, losses or damage in transit.

If service is required after the warranty period has expired, the product should be returned to a qualified electrical technician. Service outside of the warranty period will be at your cost.

Consumers Guarantee Act (1993).

In accordance with the above act consumers are advised that: The manufacturer does not undertake that repair facilities and parts are necessarily available for this product.

If any of the provisions of the foregoing are contrary to any relevant legislation, then that provision shall be deemed to be excluded from the warranty and the rest of the provisions will continue to apply.

**TWO YEAR WARRANTY**

## IMPORTANT: PLEASE RETAIN THIS WARRANTY CARD

NAME: \_\_\_\_\_

ADDRESS: \_\_\_\_\_

PURCHASED FROM: \_\_\_\_\_

SUBURB: \_\_\_\_\_

DATE OF PURCHASE: \_\_\_\_\_

NAME OF PRODUCT: \_\_\_\_\_

MODEL No: \_\_\_\_\_